

Installation Instructions

Compucage® Core for Tablets

The **Compucage®** Core is the latest in tablet security. The Core is the easiest way to help protect a wide variety of tablet sizes. Congratulations on your purchase of the **Compucage®** Core.

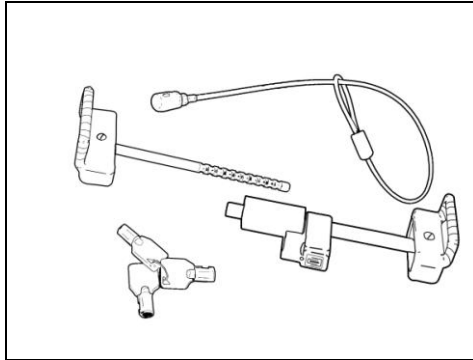
Tablets, one of the newest and most intriguing technological advancements in the computing device sector, have taken the world by storm due to their versatility and futuristic visualizations. With this booming market of expensive handheld devices comes the opportunity for theft, capable of holding valuable and confidential data that is at risk. The **Compucage®** Core is a powerful anti-theft device for tablets that provides a superior level of protection, and it has many advantages over the conventional anti-theft measures like alarms.

Compucage® Core:

- Lightweight design, installs in seconds.
- Hardened, tamper resistant components and a security lock to ensure maximum protection.
- Its low visibility ensures minimal attention is taken away from the tablet's aesthetics.
- Vinyl coated, along with a foam pad, to protect your tablet from damage.
- The perfect companion to most tablets.

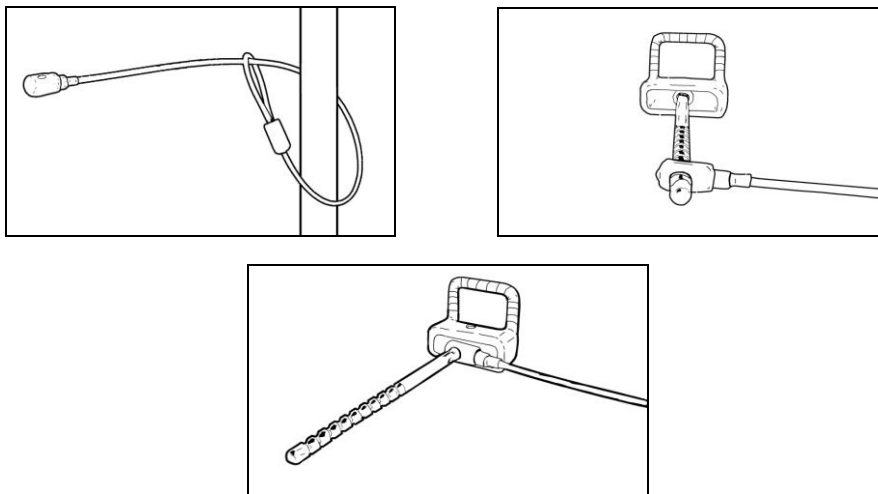
We recommend you take a few minutes to follow the **STEP BY STEP** installation instructions below to ensure proper installation of the **Compucage®** Core and maximum security for your tablet.

FIG. 1 - Compucage® Core Components



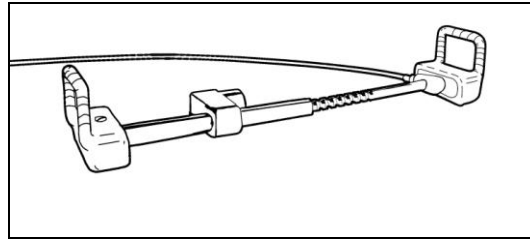
STEP 1 – Open the package and ensure that you have all the parts identified in the sketch above. The **Compucage®** Core comes with a set of keys. Keep these in a safe place, away from the tablet. (Refer to Fig. 1 above)

FIG. 2 – Attaching the Cable to the Compucage® Core



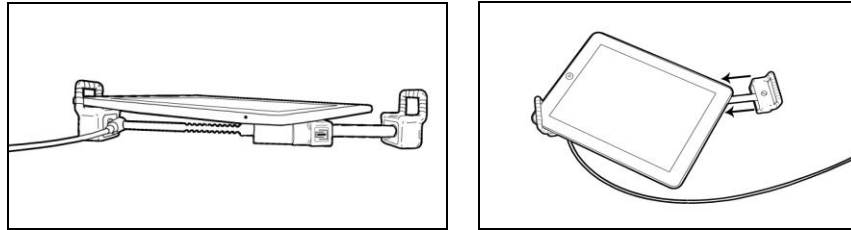
STEP 2 – Wrap the cable around a secure, stationary object, then loop the cable into itself. Slide the fitted **Compucage®** Cable end over the locating bar of the Core. (Refer to Fig.2 above)

FIG 3 – Locking Position for Compucage® Core



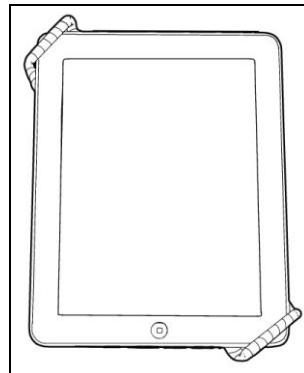
STEP 3 - Slide the locating bar into the locking sleeve and turn the key to lock. (Refer to Fig. 3)

FIG. 4 – Positioning the Tablet Inside the Compucage® Core



STEP 4 – Place the suitable opposing corners of the tablet in the arm openings of the **Compucage® Core**, with the screen of the tablet in the upright position. (Refer to Fig. 4)

FIG. 5 – Locking Position for Core



STEP 5 – Push the arms of the **Compucage® Core** until they fit firmly around the tablet. (Refer to Fig. 5)

Congratulations, your computer is now protected by the Compucage® Core

If you ever need to remove the **Compucage® Core**, simply unlock and remove the locating sleeve.

The **Compucage®** is designed to give you years of protection with almost no maintenance.

Just ensure that it remains clean and dry. Do not use any harsh chemicals for cleaning.

Wipe with a dry cloth to clean if necessary.

© Copyright Compucage International Inc., 2010. All rights reserved.
Compucage® is a registered trademark of Compucage International Inc.

Limited Warranty

Compucage International Inc. warrants the original purchaser of this Compucage® product against manufacturing defects due to material or workmanship, **for a period of one (1) year from the date of purchase**. In the case of a defect due to material or workmanship within this period, return the Compucage® product to your dealer, along with original proof of purchase, for a replacement device free of charge. Compucage® International Inc. assumes no further obligations or liability. This warranty does not cover accidental damages, wear and tear, or consequential or incidental damages.

Under no condition is Compucage International Inc., its distributors, or their agents liable for loss or damage to a computer or a structure to which the computer is secured; nor loss of, or damage to programs, records, data or stored information; nor any consequential or incidental damages, even if previously informed of their possibility.