

# Installation Instructions for Compucage<sup>®</sup> - R8620

Congratulations on your purchase of the **Compucage<sup>®</sup> R8620**.

Computers are a part of life today. So is computer theft. With the loss of a computer you not only lose the hardware, but more importantly, the data that is on the computer. The cost of re-entering the data or re-creating the files may be more than the cost of the computer itself. Or, imagine if your valuable data were to fall into the wrong hands... Which is why you need an anti-theft device for your computer that works. The **Compucage<sup>®</sup> R8620** is one of the most effective anti-theft devices available today and it has many advantages over the conventional anti-theft measures like alarms.

Its **high visibility** makes it a strong deterrent against theft.

**Locks** your laptop firmly to a table, or a tabletop support of your choice. Effectively negating theft.

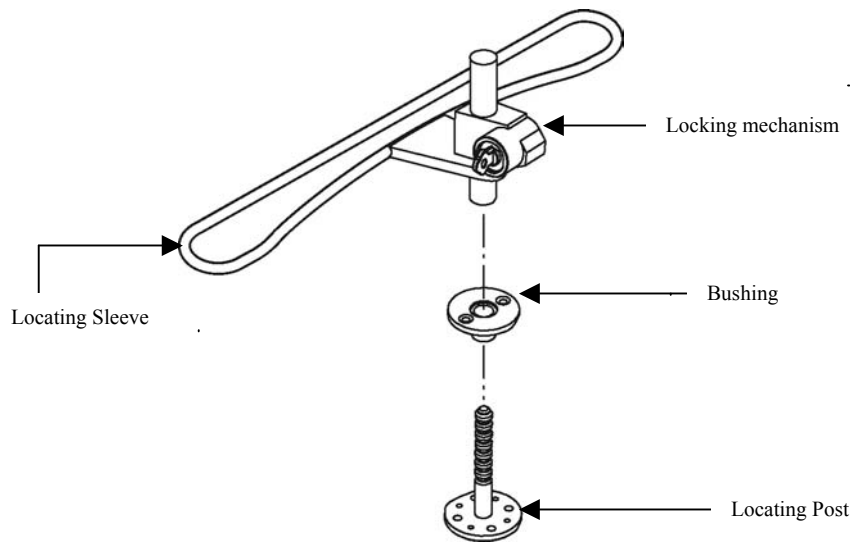
Hardened, tamper resistant components and a high-security lock ensure **maximum protection**.

**Strong, simple and rugged** means it will give you years of protection.

**Flexible** enough to fit almost any laptop – will not become obsolete when you upgrade your laptop. **Vinyl coated** to add to appeal and protect your laptop from damage.

**Aesthetically designed**, it also adds to the looks of the installation.

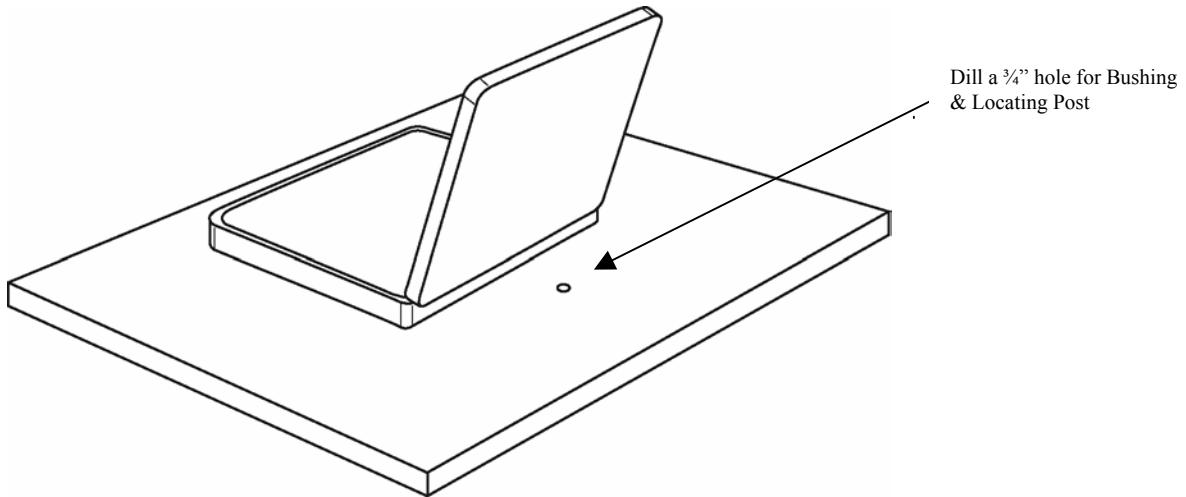
**FIG. 1 - (Illustration of Compucage<sup>®</sup> R8620 components)**



\* We recommend you take a few minutes to read and follow the **STEP** installation instructions below to ensure proper installation of the **Compucage<sup>®</sup> R8620** and maximum security for your laptop:

**STEP 1** - Open the package and ensure that you have all the parts identified in the sketch above. The **Compucage<sup>®</sup> R8620** comes with a set of keys. Keep these in a safe place, away from the laptop.

**FIG. 2 – (Locating & Assembly Position for Compucage Laptop)**

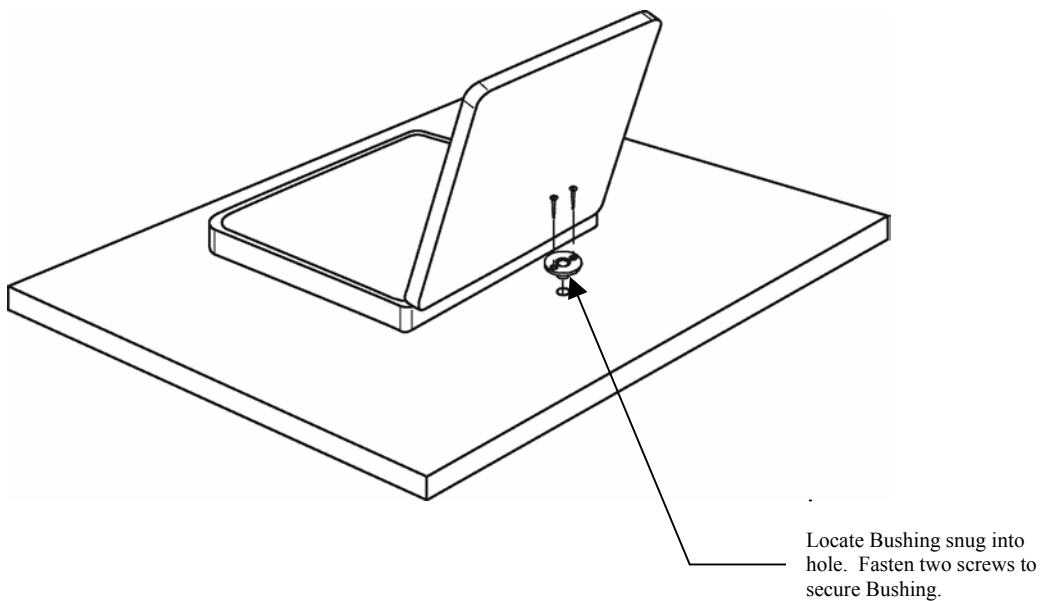


**STEP 2** – Approximate a comfortable position for your laptop on a tabletop support.

**STEP 3** - Choose the location of the laptop, and mark visibly a location where it would be possible to drill a 3/4" Dia hole for the bushing and locking post. **Hole must be no less than 9 inches (24 cm) from all surface edges of table or desk.** (Refer to Fig. 2)

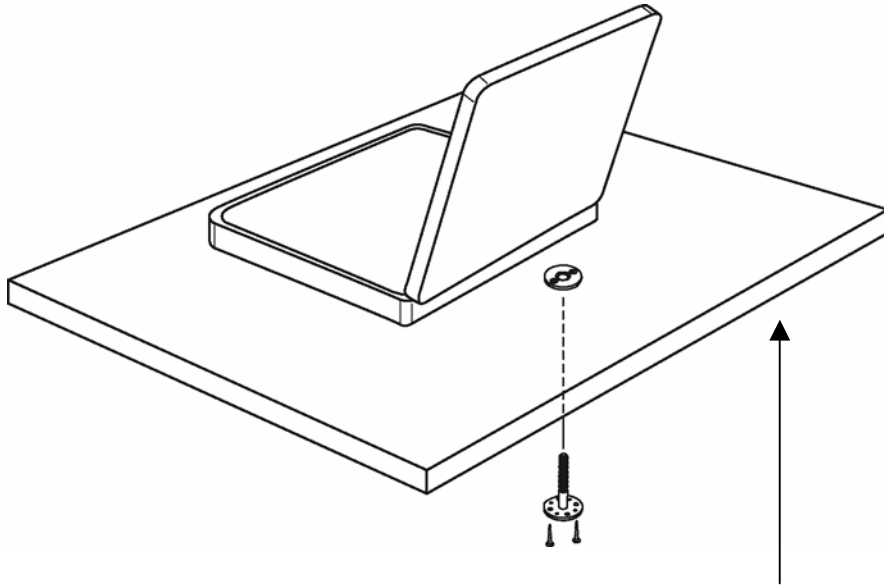
**STEP 4** - Once a hole is drilled, fit bushing snugly into hole and fasten screws to secure bushing. (Refer to Fig. 3)

**FIG. 3– (Locating Position for Bushing)**



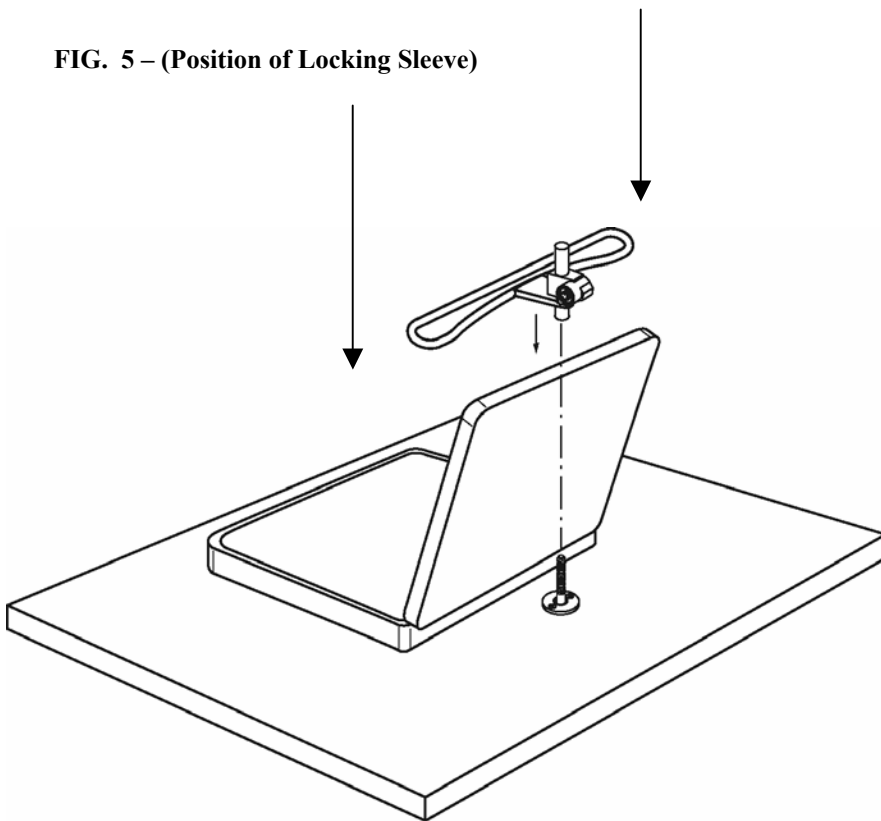
**STEP 5** - Slide locking post up through the hole and bushing. Secure post by fastening screws into the locking post. (Refer to Fig. 4)

**FIG. 4 – (Position of Locating Post)**



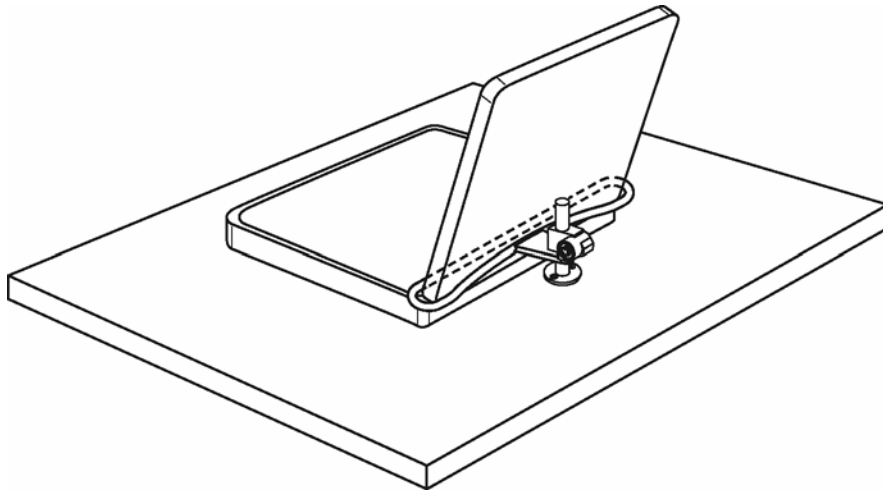
**STEP 6** - Slide Locating Sleeve over Laptop, ensuring a comfortable tolerance between the sleeve and the laptop. (Refer to Fig. 5)

**FIG. 5 – (Position of Locking Sleeve)**



**STEP 7** - Fit Locating Sleeve snugly onto Locating Post and lock system by turnkey. Your final assembly should look similar to Fig. 6

**FIG. 6 – (Final Assembly Model)**



**Congratulations, your laptop is now protected by the Compucage® R8620.**

If you ever need to remove the **Compucage® R8620** simply unlock and remove the locating sleeve.

**Maintenance:**

The **Compucage® R8620** is designed to give you years of protection with almost no maintenance. Just ensure that it remains clean and dry. Do not use any harsh chemicals for cleaning. Just wipe with a dry cloth to clean if necessary.