

# Installation Instructions

## Compucage® Tablet Display Stand

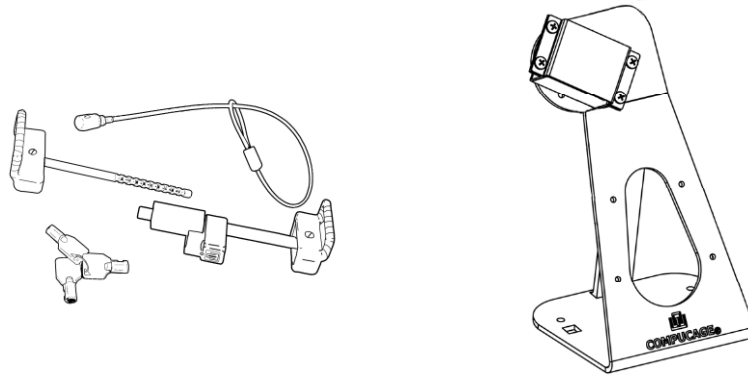
The **Compucage®** Tablet Display Stand is the latest in display security for tablets. The Tablet Display Stand along with Compucage Core is the easiest and most effective way to help display and protect a wide variety of tablets. Congratulations on your purchase of the **Compucage®** Tablet Display Stand.

### **Compucage® Tablet Display Stand:**

- Allows for 90° rotation
- Strong Theft Deterrent
- Lightweight and versatile design
- Adaptable between two Core sizes
- Easily fastens to table-tops and display fixtures

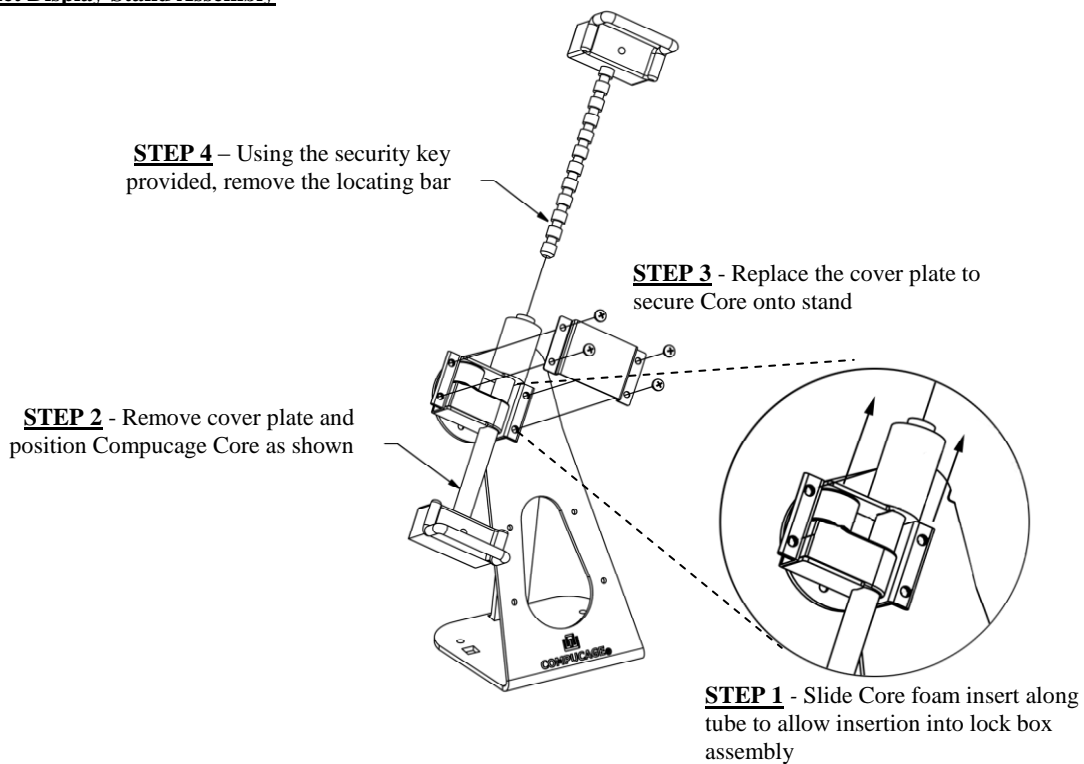
We recommend you take a few minutes to follow the **STEP-BY-STEP** installation instructions below to ensure proper installation of the **Compucage®** Tablet Display Stand.

### Compucage® Tablet Display Stand Components:

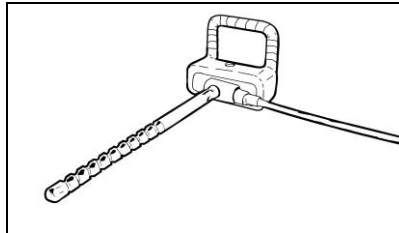
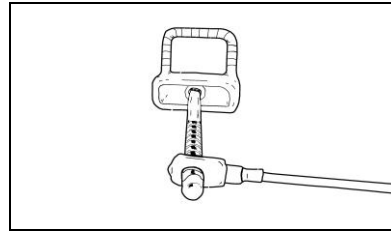
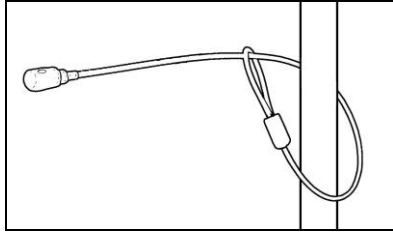


Open the package and ensure that you have all the parts identified in the sketch above. The **Compucage®** Core comes with a set of keys. Keep these in a safe place, away from the tablet

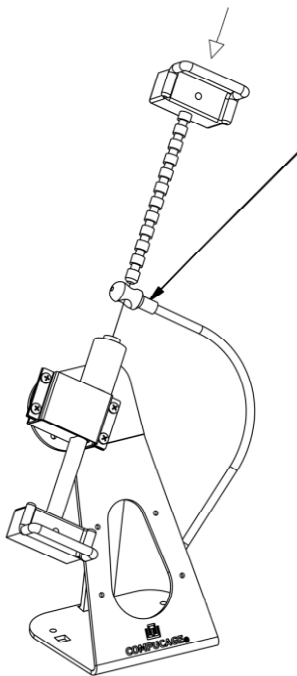
### Tablet Display Stand Assembly



**Attaching the Cable to the Compucage® Core**

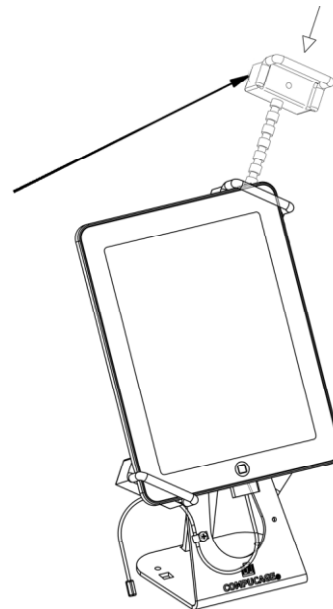


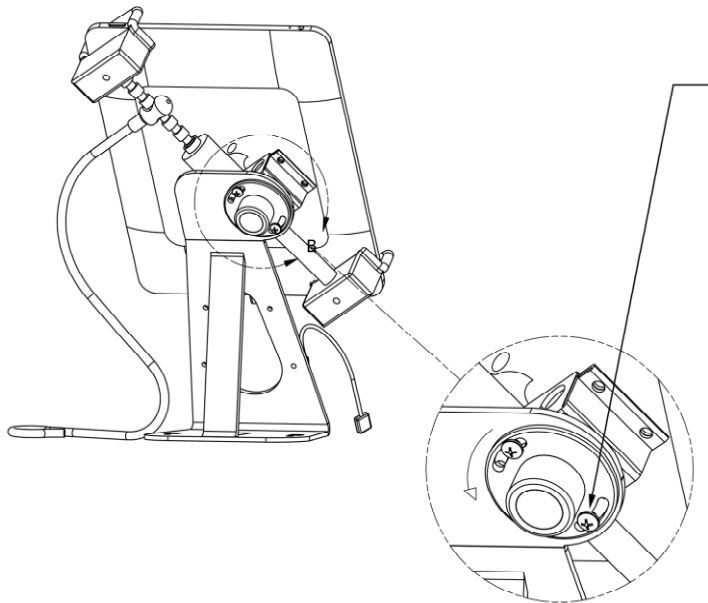
**STEP 5** – Wrap the cable around a secure and stationary object; then loop the cable into itself. Slide the fitted **Compucage®** Cable end over the locating bar of the Core.



**STEP 6** - Insert the locating bar into Compucage Core assembly as shown

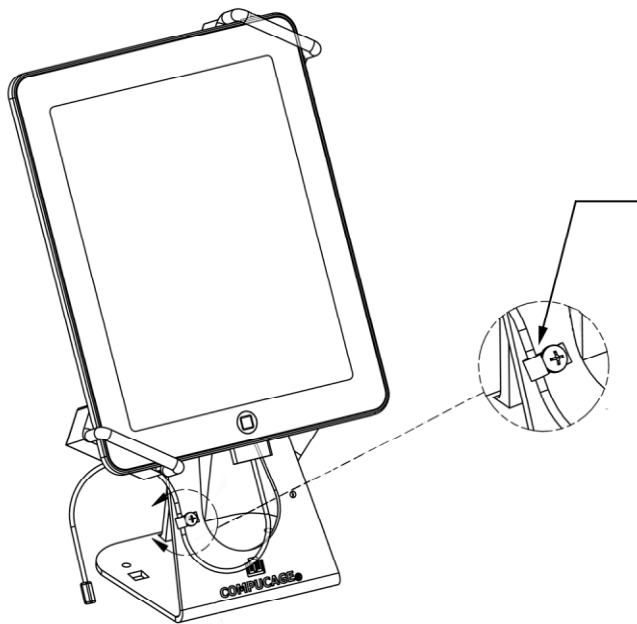
**STEP 7** - Insert the tablet and engage the arms of the Compucage Core until they fit firmly around the tablet. Ensure tablet is supported at all times during this process





**STEP 8** - The rotational head can be adjusted to improve tablet alignment. Loosening and re-tightening the rotational head screws will allow proper vertical and horizontal alignment

*\* Please note that further positioning options are available by completely removing the adjustment screws of the rotational head and finding the best suited position for the tablet*



Cable clamp has been provided for power cable management. When installed, allow sufficient cable length for rotation

**Congratulations, your tablet is now ready to be displayed**

If you ever need to remove the **Compucage®** Core, simply unlock and remove the locating sleeve.

The **Compucage®** Tablet Display Stand is designed to give you years of protection with almost no maintenance.

Just ensure that it remains clean and dry. Do not use any harsh chemicals for cleaning.

Wipe with a dry cloth to clean if necessary.

© Copyright Compucage International Inc., 2010. All rights reserved.  
Compucage® is a registered trademark of Compucage International Inc.

**Limited Warranty**

Compucage International Inc. warrants the original purchaser of this Compucage® product against manufacturing defects due to material or workmanship, **for a period of one (1) year from the date of purchase**. In the case of a defect due to material or workmanship within this period, return the Compucage® product to your dealer, along with original proof of purchase, for a replacement device free of charge. Compucage® International Inc. assumes no further obligations or liability. This warranty does not cover accidental damages, wear and tear, or consequential or incidental damages.

Under no condition is Compucage International Inc., its distributors, or their agents liable for loss or damage to a computer or a structure to which the computer is secured; nor loss of, or damage to programs, records, data or stored information; nor any consequential or incidental damages, even if previously informed of their possibility.